

SNP-5321H/5321

1.3Megapixel HD 32x Network PTZ Dome Camera



SNP-5321H



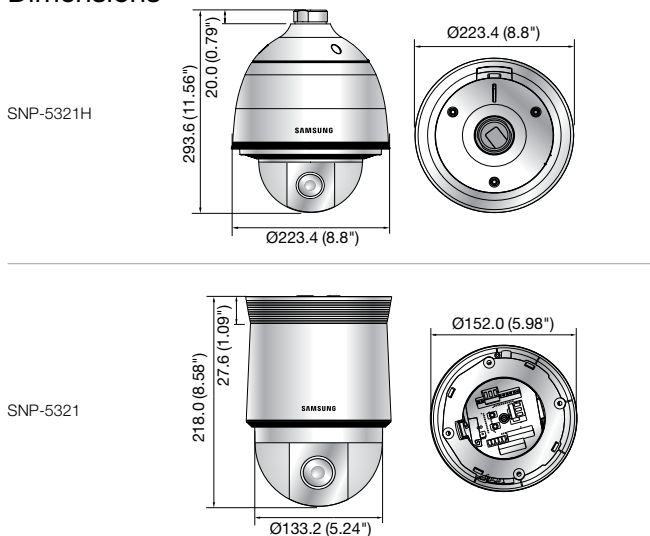
SNP-5321

Key Features

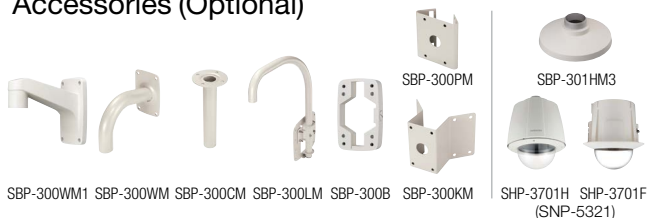
- Max. 1.3M (1280 x 1024) resolution
- 16 : 9 HD (720p) resolution support
- 4.44 ~ 142.6mm (32x) optical zoom, 16x digital zoom
- 0.05Lux@F1.6 (Color), 0.005Lux@F1.6 (B/W)
- H.264, MJPEG dual codec, Multiple streaming
- Day & Night (ICR), WDR (120dB), Intelligent video analytics
- PoE+, SD/SDHC/SDXC memory slot, Bi-directional audio support
- IP66 / IK10 (SNP-5321H), IK10 (SNP-5321 + SHP-3701H only)

Dimensions

Unit : mm (inch)



Accessories (Optional)



* Data recorded on an SD memory card may be lost or damaged by data access during power-off, mechanical shock, memory card detachment, or other operations. Data loss or damage can also occur when a memory card reaches end of life, which varies according to operational conditions. No guarantee is given against damage (including passive damage).

	SNP-5321HN/HP	SNP-5321N/P
VIDEO		
Imaging Device	1/3" 1.3M CMOS	
Total / Effective Pixels	1,312(H) x 1,069(V), 1.40M pixels / 1,305(H) x 1,049(V), 1.37M pixels	
Scanning System	Progressive	
Min. Illumination	Color : 0.1Lux (1/30sec, F1.6, 50IRE, AGC high), 0.005Lux (2sec, F1.6, 50IRE, AGC high) B/W : 0.01Lux (1/30sec, F1.6, 50IRE, AGC high), 0.0005Lux (2sec, F1.6, 50IRE, AGC high) Color : 0.05Lux (1/30sec, F1.6, 30IRE), 0.0025Lux (2sec, F1.6, 30IRE) B/W : 0.005Lux (1/30sec, F1.6, 30IRE), 0.00025Lux (2sec, F1.6, 30IRE)	
S / N Ratio	50dB	
Video Output	CVBS : 1.0 Vpp / 75Ω composite, 720 x 480(N), 720 x 576(P), for installation	
LENS		
Focal Length (Zoom Ratio)	4.44 ~ 142.6mm (Optical 32x)	
Max. Aperture Ratio	F1.6(Wide) / F4.4(Tele)	
Angular Field of View	H : 56.8°(Wide) ~ 1.99°(Tele) / V : 46.3°(Wide) ~ 1.6°(Tele)	
Min. Object Distance	Wide : 1.5m (4.92ft), Tele : 1.9m (6.23ft) Wide : 1.5m (4.92ft), Tele : 2m (6.56ft)	
Focus Control	Auto / Manual / One push	
Lens / Mount Type	DC auto iris / Board-in type	
PAN / TILT / ROTATE		
Pan / Tilt Range	360° Endless / 210° (-15° ~ 195°)	
Pan / Tilt Speed	Preset : 700°/sec, Manual : 0.024°/sec ~ 120°/sec	
Sequence	Preset (255ea), Swing, Group (6ea), Trace, Tour (1ea), Auto run, Schedule	
Preset Accuracy	±0.2°	
Azimuth	Yes (E / W / S / N / NE / NW / SE / SW)	
OPERATIONAL		
Camera Title	Off / On (Displayed up to 45 characters)	
Day & Night	Auto (ICR) / Color / B/W	
Backlight Compensation	Off / BLC / WDR	
Wide Dynamic Range	120dB	
Contrast Enhancement	SSDR (Samsung Super Dynamic Range) (Off / On)	
Digital Noise Reduction	SSNRlll (2D+3D noise filter) (Off / On)	
Digital Image Stabilization	Off / On	
Defog	Off / Auto / Manual	
Motion Detection	Off / On (4ea rectangle zone)	
Privacy Masking	Off / On (32 zones of rectangle zone) with zoom threshold mosaic option	
Gain Control	Off / Low / Middle / High	
White Balance	ATW / AWC / Manual / Indoor / Outdoor / Mercury	
Electronic Shutter Speed	Minimum / Maximum / Anti flicker (2 ~ 1/12,000sec)	
Digital Zoom	16x	
Flip / Mirror	Off / On	
Intelligent Video Analytics	Tampering, Virtual line, Enter / Exit, (Dis)Appear, Audio detection, Face detection	
Alarm I/O	Input 4ea / Output 2ea (Relay)	
Remote Control Interface	RS-485	
RS-485 Protocol	Samsung-T/E, Pelco-P/D, Panasonic, Honeywell, AD_Vicon, Bosch, GE	
Alarm Triggers	Motion detection, Tampering, Audio detection, Face detection, Video analytics, Alarm input, Network disconnection	
Alarm Events	File upload via FTP and E-mail, Notification via E-mail, TCP and HTTP, Local storage (SD/SDHC/SDXC) or NAS recording at Alarm triggers, External output	
NETWORK		
Ethernet	RJ-45 (10/100BASE-T)	
Video Compression Format	H.264 (MPEG-4 part 10 / AVC), MJPEG	
Resolution	1280 x 1024, 1280 x 960, 1280 x 720, 1024 x 768, 800 x 600, 800 x 450, 720 x 576, 640 x 480, 640 x 360, 320 x 240, 320 x 180	
Max. Framerate	H.264 : Max. 60fps at all resolutions MJPEG : 1280 x 1024, 1280 x 960, 1280 x 720, 1024 x 768 : Max. 15fps 800 x 600, 800 x 450, 720 x 576, 640 x 480, 640 x 360, 320 x 240, 320 x 180 : Max. 30fps	
Smart Codec	Manual mode (Area-based : 5ea), Face detection mode	
Video Quality Adjustment	H.264 : Compression level, Target bitrate level control, MJPEG : Quality level control	
Bitrate Control Method	H.264 : CBR or VBR, MJPEG : VBR	
Streaming Capability	Multiple streaming (Up to 10 profiles)	
Audio In	Selectable (Mic in / Line in), Supply voltage : 2.5V DC (4mA), Input impedance : approx. 2K Ohm	
Audio Out	Line out (3.5mm mono jack), Max output level : 1 Vrms	
Audio Compression Format	G.711 u-law/G.726 selectable, G.726 (ADPCM) 8KHz, G.711 8KHz, G.726 : 16Kbps, 24Kbps, 32Kbps, 40Kbps	
Audio Communication	Bi-directional audio	
IP	IPv4, IPv6	
Protocol	TCP/IP, UDP/IP, RTP(UDP), RTP(TCP), RTCP, RTSP, NTP, HTTP, HTTPS, SSL, DHCP, PPPoE, FTP, SMTP, ICMP, IGMP, SNMPv1/v2c/v3(MIB-2), ARP, DNS, DDNS, QoS, PIM-SM, UPnP, Bonjour	
Security	HTTPS(SSL) login authentication, Digest login authentication	
Streaming Method	Unicast / Multicast	
Max. User Access	10 users at unicast mode	
Edge Storage	SD/SDHC/SDXC slot for supporting memory card Motion Images recorded in the SD/SDHC/SDXC memory card can be downloaded NAS (Network Attached Storage)	
Application Programming Interface	ONVIF profile S, SUNAPI (HTTP API), SVPN 1.2, Samsung Techwin Open Platform	
Webpage Language	English, French, German, Spanish, Italian, Chinese, Korean, Russian, Japanese, Swedish, Danish, Portuguese, Turkish, Polish, Czech, Rumanian, Serbian, Dutch, Croatian, Hungarian, Greek, Finnish, Norwegian	
Web Viewer	Supported OS : Windows XP / VISTA / 7 / 8, MAC OS X 10.7 Supported Browser : Microsoft Internet Explorer (Ver. 8 ~ 11), Mozilla Firefox (Ver. 9 ~ 19), Google Chrome (Ver. 15 ~ 32), Apple Safari (Ver. 6.0.2(Mac OS X 10.8, 10.7 only), 5.1.7) * Mac OS X only	
Central Management Software	SmartViewer, SSM	
ENVIRONMENTAL		
Operating Temperature / Humidity	24V AC : -50°C ~ +55°C (-58°F ~ +131°F) / Less than ~ 90% RH PoE+ : -30°C ~ +55°C (-22°F ~ +131°F) / Less than 90% RH -10°C ~ +55°C (+14°F ~ +131°F) / Less than 90% RH	
Storage Temperature / Humidity	-30°C ~ +60°C (-22°F ~ +140°F) / Less than 90% RH	
Ingress Protection	IP66	
Vandal Resistance	IK10	
ELECTRICAL		
Input Voltage / Current	24V AC ±10%, PoE+ (IEEE802.3af, Class4)	
Power Consumption	24V AC : Max. 65W (24V AC heater on & PoE heater on) PoE+ : Max. 25W (24V AC heater off / PoE heater on) Max. 20W	
MECHANICAL		
Color / Material	Ivory / Plastic + Metal	
Dimensions (WxH)	Ø223.4 x 293.6mm (Ø8.8" x 11.56") Ø152.0 x 218.0mm (Ø5.98" x 8.58")	
Weight	3.2Kg (7.05 lb) 1.8Kg (3.97 lb)	

* The latest product information / specification can be found at www.samsungsecurity.com