

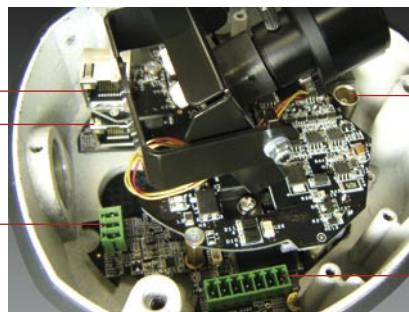


# CAM-7300 Series

## MPEG-4 Real-time Network Streaming Outdoor IP Rugged Dome

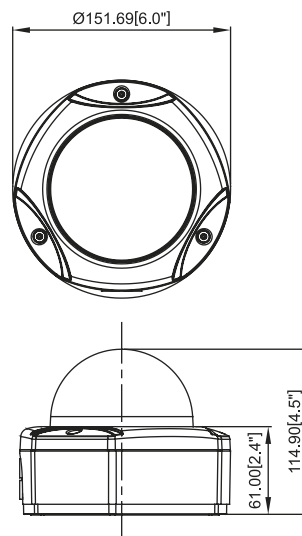


- 1/3" Sony SuperHAD / EXviewHAD CCD
- 0.15 Lux (CAM-7301) / 0.05 Lux (CAM-7321/7322) at F1.2
- Backlight Compensation, Auto Iris Control, Auto White Balance supported
- MPEG-4 ASP compression
- CIF up to Full D1 resolution at 30/25 FPS
- Multi-stream with variable frame rate in the same compression
- Two-way audio supported
- Hardware motion detection, Digital Input/Output
- Hybrid analog and ethernet video output with 540 TV lines
- Power over Ethernet (IEEE 802.3af) supported, or AC 24 V power source supported
- Heavy-duty, weatherproof and vandal proof with IP66 protection

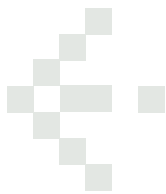


- ① LAN Port
- ② WAN Port
- ③ DC 12 V / AC 24 V Power Input
- ④ Analog Video Output
- ⑤ Audio & Digital Input / Output

### DIMENSION DIAGRAM



Unit: mm [inch]



# CAM-7300 Series

## PRODUCT SPECIFICATION

		CAM-7301	CAM-7321 / CAM-7322
Image	Device	SONY SuperHAD CCD	
	Size	1/3 inch	
	Effective Pixels (HxV)	811 x 508 (NTSC); 795 x 596 (PAL)	
	Horizontal Resolution	540 TVL	
	Multi-stream	Up to 4 configurable frame rate/bit rate streams for preview and recording	
Min. Scene Illumination	Color	0.15 Lux at F1.2 (30IRE, SAGC)	Color mode automatically switched to B/W mode under 4 Lux
	B/W	N/A	0.05 Lux at F1.2 (30IRE, SAGC ON)
	IR Sensitivity	N/A	from 700 nm to 1100 nm
Lens	Focal Length	2.9 ~ 10 mm	
	Viewing Angel	74.2° ~ 30.0° (Horizontal)	
Camera Angle Adjustment	X (Panning)	0° ~ 300°	
	Y (Tilting)	0° ~ 90° (The adjustable angle of vision 0° ~ 77°)	
Synchronization	Sync. System	Internal	
Day/Night Functions	Mechanical IR Cut Filter	N/A	
Functions	Motion Detection	Yes (3 windows)	
	Electronic Shutter	AES On: 1/60 ~ 1/100,000 sec. (NTSC); 1/50 ~ 1/100,000 sec. (PAL); AES Off: 1/60 sec. (NTSC); 1/50 sec. (PAL)	
	BLC	On / Off (switchable)	
	AGC	On / Off (switchable)	
	White Balance	AWB	
	Flickless	On/Off (switchable)	
	Auto Iris Control	DC Iris	
S/N Ratio	S/N Ratio	Better than 50 dB (AGC off)	
Video (Compression)	Compression	MPEG-4 ASP compliant	
	Picture Resolution	Full D1 (720x480 in NTSC, 720x576 in PAL); CIF (352x240 in NTSC, 352x288 in PAL); QCIF (160x112 in NTSC, 176x144 in PAL)	
Video Output	Bit Rate	28 K ~ 3M bps	
	Composite Output	CVBS, 1.0Vp-p with 75 Ω loading, BNC connector	
Audio Input	Compression	8kHz, Mono, PCM	
	Audio Line Input	Unbalanced, 1.4 Vp-p, 1Vrms, terminal block	
Audio Output	Compression	8kHz, Mono, PCM	
	Audio Line Input	Unbalanced, 1.4 Vp-p, 1Vrms, terminal block	
Alarm	Input	1, TTL, terminal block	
	Output	1, TTL, terminal block	
External I/O	Reset Button	Factory default	
	IP66 Rated	Weatherproof casing with IP66 standard	
Casing	Vandal Proof	Vandal proof supports, durability up to 619.3 KgF	
	Mount Types	Surface / Flush / Wall	
	LAN Port	Ethernet (10/100Base-T), RJ-45 connector	
Network	WAN Port	Ethernet (10/100Base-T), RJ-45 connector	
	Protocol	TCP, UDP, IP, HTTP, DHCP, PPPoE, RTP, RTSP, FTP, SMTP, DNS, DDNS, NTP, ICMP, IGMP, ARP	
	Web Browser	Microsoft Internet Explorer 6.0 or above	
Software	SDK	ACTi SDK-10000	
	Security	Password Protection : Configured by the administrator	
Operating	Heater / Fan	Yes (built-in) (CAM-7321)	
	Temperature	-30 °C ~ 50 °C (-22 °F ~ 122 °F) for DC 12 V / AC 24 V; -5 °C ~ 50 °C (7 °F ~ 122 °F) for PoE	
Power	Power Requirement	PoE (IEEE802.3af) with Class 3 (CAM-7301)	PoE (IEEE802.3af) with Class 3 (CAM-7321) AC 24 V ±10% (CAM-7322)
	Power Consumption	7.7 W (DC 12 V) w/o Heater & Fan 14.9 W (DC 12 V) w/ Heater ON & Fan ON 9.0 W (PoE) w/o Heater & Fan	7.7 W (DC 12 V) w/o Heater & Fan (CAM-7321) 14.9 W (DC 12 V) w/ Heater ON & Fan ON (CAM-7321) 9.0 W (PoE) w/o Heater & Fan (CAM-7321) 11.2 W (AC24V) w/o Heater & Fan (CAM-7322) 21.4 W (AC 24 V) w/ Heater ON & Fan ON (CAM-7322)
		Dimensions (ØxH)	151.69 mm x 114.9 mm (6.0" x 4.5")
Physical	Weight	1,145 g (2.5lb)	

## ORDERING INFORMATION

Model Name	NTSC	PAL	D&N	DC 12 V / PoE	DC 12 V / AC 24 V
CAM-7301N	✓			✓	
CAM-7301P		✓		✓	
CAM-7321N	✓		✓	✓	
CAM-7321P		✓	✓	✓	
CAM-7322N	✓		✓		✓
CAM-7322P		✓	✓		✓

## ACCESSORY OPTIONS

- Wall mount kit R695-00019-001
- Flush mount kit R695-00020-000



R695-00019-001



R695-00020-000

\* All specifications are subject to change without notice.  
\* All brand names and registered trademarks are the property of their respective owners.