

STANDARD PARABOLIC ANTENNAS: DIAMETERS, WEIGHTS AND ELECTRICAL SPECIFICATIONS

STANDARD PARABOLIC ANTENNAS, SP SERIES - PLANE POLARIZED

ANTENNA DIAMETERS AND WEIGHTS:

1 ft	(0.3m)	- 15 lbs. (6.8 kg)
2 ft	(0.6m)	- 22 lbs. (9.9 kg)
3 ft	(0.9m)	- 35 lbs. (15.8 kg)
4 ft	(1.2m)	- 60 lbs. (27.0 kg)
6 ft	(1.8m)	- 90 lbs. (40.5 kg)
8 ft	(2.4m)	- 250 lbs. (112.5 kg)

ELECTRICAL SPECIFICATIONS (typical performance)

Model Number	Frequency, GHz	Polarization	Gain dBi (nominal)	Beamwidth -3dB	X-Pol. Rejection, dB	F/B Ratio dB	VSWR, Max (R.L., dB)
1.3 - 1.5 GHz Range							
SP2-1.3	1.35 - 1.535	Plane	16.8	25.0	20	28	1.5:1 (14.0)
SP3-1.3	1.35 - 1.535	Plane	20.5	15.4	30	30	1.5:1 (14.0)
SP4-1.3	1.35 - 1.535	Plane	22.8	11.5	30	34	1.5:1 (14.0)
SP6-1.3	1.35 - 1.535	Plane	26.4	7.8	30	38	1.5:1 (14.0)
SP8-1.3	1.35 - 1.535	Plane	29.2	5.7	30	40	1.5:1 (14.0)
2.4 - 2.7 GHz Range							
SP1-2.4	2.40 - 2.50	Plane	14.0	28.0	17	25	1.5:1 (14.0)
SP2-2.4	2.40 - 2.70	Plane	21.3	14.0	28	28	1.5:1 (14.0)
SP3-2.4	2.40 - 2.70	Plane	24.3	9.5	30	30	1.5:1 (14.0)
SP4-2.4	2.40 - 2.70	Plane	27.2	7.3	30	34	1.5:1 (14.0)
SP6-2.4	2.40 - 2.70	Plane	30.3	4.8	30	38	1.5:1 (14.0)
SP8-2.4	2.40 - 2.70	Plane	33.2	3.6	30	42	1.5:1 (14.0)
3.4 - 3.6 GHz Range							
SP2-3.5	3.4 - 3.6	Plane	24.2	10.0	28	32	1.5:1 (14.0)
SP3-3.5	3.4 - 3.6	Plane	27.7	8.0	30	34	1.5:1 (14.0)
SP4-3.5	3.4 - 3.6	Plane	30.2	5.0	30	38	1.5:1 (14.0)
SP6-3.5	3.4 - 3.6	Plane	33.8	3.3	30	40	1.5:1 (14.0)
SP8-3.5	3.4 - 3.6	Plane	36.3	2.5	30	43	1.5:1 (14.0)
4.4 - 5.0 GHz Range							
SP1-4.7	4.4 - 5.0	Plane	21.2	13.1	20	28	1.5:1 (14.0)
SP2-4.7	4.4 - 5.0	Plane	26.6	7.1	28	34	1.5:1 (14.0)
SP3-4.7	4.4 - 5.0	Plane	30.0	4.7	30	37	1.5:1 (14.0)
SP4-4.7	4.4 - 5.0	Plane	32.6	3.6	30	40	1.5:1 (14.0)
SP6-4.7	4.4 - 5.0	Plane	35.6	2.6	30	43	1.5:1 (14.0)
SP8-4.7	4.4 - 5.0	Plane	39.0	1.8	30	46	1.5:1 (14.0)
5.25 - 5.85 GHz Range							
SP1-5.2	5.25 - 5.85	Plane	22.5	11.1	17	30	1.5:1 (14.0)
SP2-5.2	5.25 - 5.85	Plane	29.0	6.1	28	38	1.5:1 (14.0)
HP2-5.2	5.25 - 5.85	Plane	28.6	6.1	28	44	1.4:1 (15.5)
SP3-5.2	5.25 - 5.85	Plane	32.0	4.0	30	40	1.5:1 (14.0)
SP4-5.2	5.25 - 5.85	Plane	34.8	3.0	30	44	1.5:1 (14.0)
SP6-5.2	5.25 - 5.85	Plane	37.9	2.0	30	46	1.5:1 (14.0)
SP8-5.2	5.25 - 5.85	Plane	40.0	1.5	30	52	1.5:1 (14.0)
SP8-3.5	3.60 - 3.80	Plane	36.7	2.4	30	43	1.5:1 (14.0)

SP1 Antennas include radome

STANDARD PARABOLIC ANTENNAS: DIAMETERS, WEIGHTS AND ELECTRICAL SPECIFICATIONS

STANDARD PARABOLIC ANTENNAS, SP SERIES - PLANE POLARIZED

ANTENNA DIAMETERS AND WEIGHTS:

1 ft	(0.3m)	- 15 lbs. (6.8 kg)
2 ft	(0.6m)	- 22 lbs. (9.9 kg)
3 ft	(0.9m)	- 35 lbs. (15.8 kg)
4 ft	(1.2m)	- 60 lbs. (27.0 kg)
6 ft	(1.8m)	- 90 lbs. (40.5 kg)
8 ft	(2.4m)	- 250 lbs. (112.5 kg)

ELECTRICAL SPECIFICATIONS (typical performance)

DUAL BAND RANGE - 2.4 - 2.5 & 5.725 - 5.85 GHz RANGES

Model	Frequency,	Polarization	Gain	Beamwidth	X-Pol.	F/B Ratio	VSWR, Max
SP1-2/5	2.40 - 2.50	Plane	14.0	28.0	17	25	1.5:1 (14.0)
	5.725 - 5.85		23.3	11.8	17	30	1.5:1 (14.0)
SP2-2/5	2.40 - 2.50	Plane	21.1	14.0	28	28	1.5:1 (14.0)
	5.725 - 5.85		28.3	6.0	28	38	1.5:1 (14.0)
SP3-2/5	2.40 - 2.50	Plane	24.1	9.5	30	30	1.5:1 (14.0)
	5.725 - 5.85		31.4	4.0	30	40	1.5:1 (14.0)
SP4-2/5	2.40 - 2.50	Plane	27.0	7.3	30	34	1.5:1 (14.0)
	5.725 - 5.85		34.6	2.9	30	44	1.5:1 (14.0)
SP6-2/5	2.40 - 2.50	Plane	30.1	4.8	30	38	1.5:1 (14.0)
	5.725 - 5.85		37.7	2.0	30	46	1.5:1 (14.0)

All specifications subject to change without notice.

STANDARD PARABOLIC ANTENNAS AND RADOMES: DIAMETERS, WEIGHTS AND ELECTRICAL SPECIFICATIONS

STANDARD PARABOLIC ANTENNAS, SP SERIES - DUAL POLARIZED

ANTENNA DIAMETERS AND WEIGHTS:

1 ft	(0.3m)	- 15 lbs. (6.8 kg)
2 ft	(0.6m)	- 22 lbs. (9.9 kg)
3 ft	(0.9m)	- 35 lbs. (15.8 kg)
4 ft	(1.2m)	- 60 lbs. (27.0 kg)
6 ft	(1.8m)	- 90 lbs. (40.5 kg)
8 ft	(2.4m)	- 250 lbs. (112.5 kg)

ELECTRICAL SPECIFICATIONS (typical performance)

Model Number	Frequency, GHz	Polarization	Gain dBi (nominal)	Beamwidth -3dB	X-Pol. Rejection, dB	F/B Ratio dB	VSWR, Max (R.L., dB)
2.4 - 2.7 GHz Range							
SPD2-2.4	2.40 - 2.70	Dual	21.1	14.0	28	28	1.5:1 (14.0)
SPD3-2.4	2.40 - 2.70	Dual	24.1	9.5	30	30	1.5:1 (14.0)
SPD4-2.4	2.40 - 2.70	Dual	27.0	7.3	30	34	1.5:1 (14.0)
SPD6-2.4	2.40 - 2.70	Dual	30.1	4.8	30	38	1.5:1 (14.0)
SPD8-2.4	2.40 - 2.70	Dual	32.5	3.6	30	39	1.5:1 (14.0)
5.25 - 5.85 GHz Range							
SPD2-5.2	5.25 - 5.85	Dual	28.1	6.2	28	38	1.5:1 (14.0)
SPD3-5.2	5.25 - 5.85	Dual	31.1	4.2	30	40	1.5:1 (14.0)
SPD4-5.2	5.25 - 5.85	Dual	34.4	3.1	30	44	1.5:1 (14.0)
SPD6-5.2	5.25 - 5.85	Dual	37.5	2.1	30	46	1.5:1 (14.0)
SPD8-5.2	5.25 - 5.85	Dual	39.7	1.6	30	52	1.5:1 (14.0)

All specifications subject to change without notice.

RADOMES, RD SERIES, RADOMES ARE FACTORY ATTACHED FOR 2, 3, 4 & 8 FT MODELS AT NO CHARGE.

RADOME DIAMETERS AND WEIGHTS:

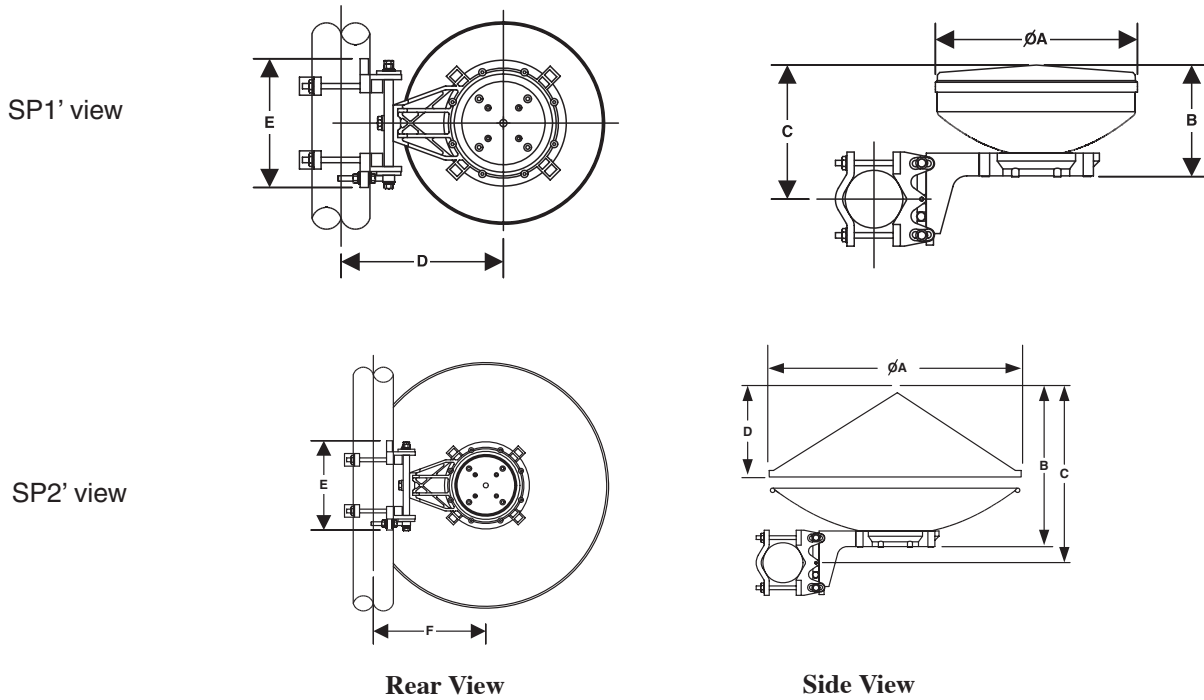
2 ft	(0.6m)	- 4 lbs. (1.8 kg)
3 ft	(0.9m)	- 8 lbs. (3.6 kg)
4 ft	(1.2m)	- 20 lbs. (9.0 kg)
6 ft	(1.8m)	- 30 lbs. (13.5 kg)
8 ft	(2.4m)	- 70 lbs. (31.5 kg)

ELECTRICAL SPECIFICATIONS (typical performance)

Model Number	Diameter ft. (m)	Attenuation		Add to antenna VSWR, Max	
		2 GHz	5 GHz	2 GHz	5 GHz
RD2	2 (0.6)	0.2	0.4	0.02	0.04
RD3	3 (0.9)	0.2	0.4	0.02	0.04
RD4	4 (1.2)	0.2	0.4	0.02	0.04
RD6	6 (1.8)	0.2	0.4	0.02	0.04
RD8	8 (2.4)	0.2	0.4	0.02	0.04

ANTENNA DIMENSIONS (DETAIL)

SP SERIES: 1' (0.3M) & 2' (0.6M)



*Dimensions = Inches/cm

Diameter	A	B	C	D	E	F
1 ft (0.3m)	13.5 (34.3)	5.4 (13.7)	9.2 (23.4)	3.2 (8.0)	8.3 (21.1)	3.8 (9.7)
2 ft (0.6m)	25.3 (64.1)	10.9 (27.7)	13.7 (34.8)	5.8 (14.7)	8.9 (22.6)	11.2 (28.4)

Adjustment Ranges:

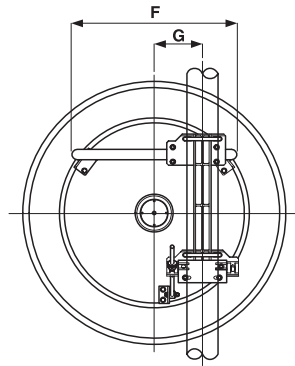
Azimuth:	Coarse	360°	Elevation:	Fine	+/-40°
	Fine	+/-10°			

Based on 4.5 inches (11.4 cm) pipemast. Mount designed to attach to pipemast between 2.0" (5.08 cm) and 4.5" (11.4 cm).

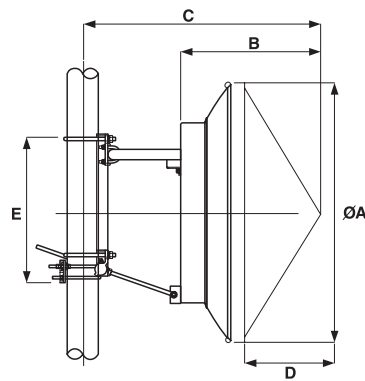
ANTENNA DIMENSIONS (DETAIL)

SP SERIES: 3' (0.9M), 4' (1.2M), 6' (1.8M) & 8' (2.4M)

3', 4', 6' views

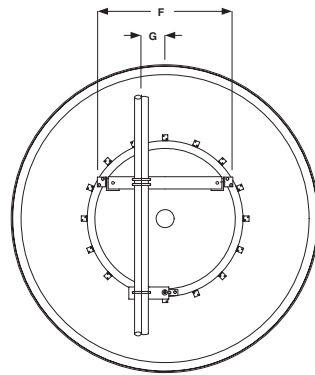


Rear View

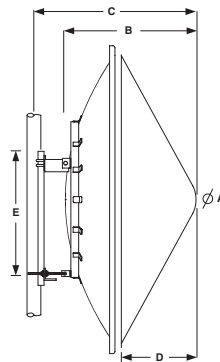


Side View

8' view



Rear View



Side View

*Dimensions = Inches/cm

Diameter	A	B	C	D	E	F	G
3 ft (0.9m)	38.0 (91.4)	19.7 (49.9)	30.9 (78.5)	9.8 (24.9)	21.1 (53.3)	25.7 (65.3)	7.0 (17.8)
4 ft (1.2m)	50.5 (128.3)	21.4 (54.4)	35.6 (90.4)	13.1 (33.3)	21.1 (53.3)	25.7 (65.3)	7.0 (17.8)
6 ft (1.8m)	70.0 (177.8)	26.9 (68.3)	41.1 (104.4)	13.8 (35.1)	21.1 (53.3)	25.7 (65.3)	7.0 (17.8)
8 ft (2.4m)	99.3 (252.2)	46.0 (116.8)	58.0 (147.3)	24.5 (62.2)	44.3 (112.5)	44.0 (111.8)	7.0 (17.8)

Adjustment Ranges:

Azimuth: Coarse 360° **Elevation:** Fine+/-25° (+/-5° 8 ft model only)

Fine+/-10° (+/-5° 8 ft model only)

Based on 4.5 inches (11.4 cm) pipemast. Mount designed to attach to a 4.5" (11.4cm) vertical pipemast.